

Variable output frequency, pin compatible replacement for a standard half-can DIP oscillator

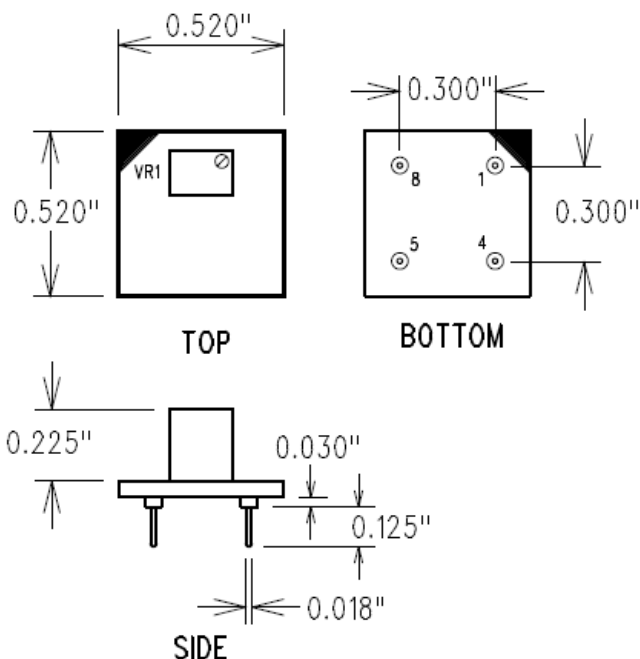
Features

- Wide frequency range
- Simple potentiometer adjustment with a small screwdriver
 - no other equipment required
 - adjustment tool available *
- Infinitely adjustable to any frequency within the device's specified range
- tri-state enable / disable
 - NC = enable
- 2.5V to 5.0V operation
- Ideal for lab work and prototyping
- HCMOS output

Operating Conditions / Electrical Characteristics

Parameter	Value	Notes
Frequency	1 MHz to 30 MHz	
Jitter	50ps at max frequency	By design, varies with frequency
Operating Voltage	2.5V to 5.0V	
Output Drive	+/- 24 mA at 3V Vcc	

Package Drawing



Pin Functions

Pin Number	Function
1	Output Enable (or NC)
4	GND
5	Output
8	Vcc

Output Enable Function

OE pin (pin 1)	Output pin (pin 5)
Open	Active
High	Active
Low	High Z

* Available bundled with an adjustment tool designed specifically for the small potentiometer order part number VO-1-30-TH-AT