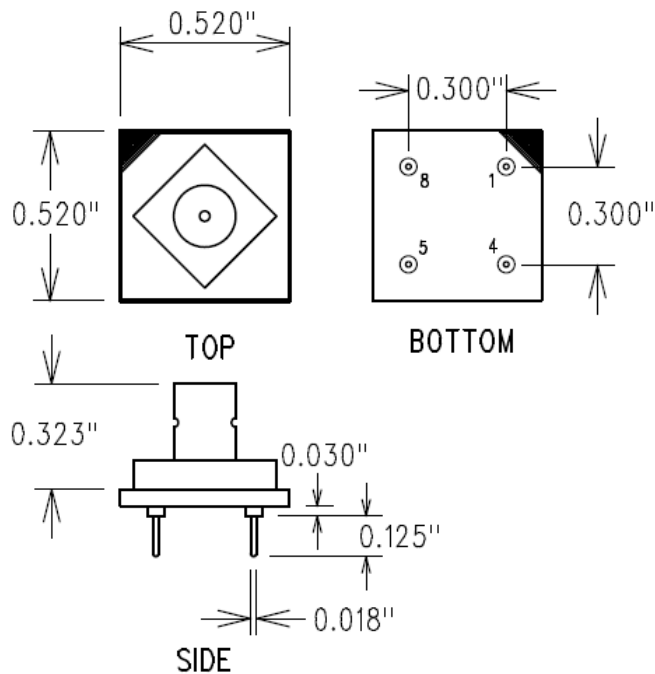


Converts a standard half-can DIP oscillator land pattern to an SMB connector

Features

- Provides a convenient way to attach an SMB cable to a pcb with a half-can footprint
- Allows a function generator to be used in place of a standard half-can oscillator
- Ideal for lab work and prototyping

Package Drawing



Pin Functions

Pin Number	Function
1	NC
4	GND
5	Output
8	NC